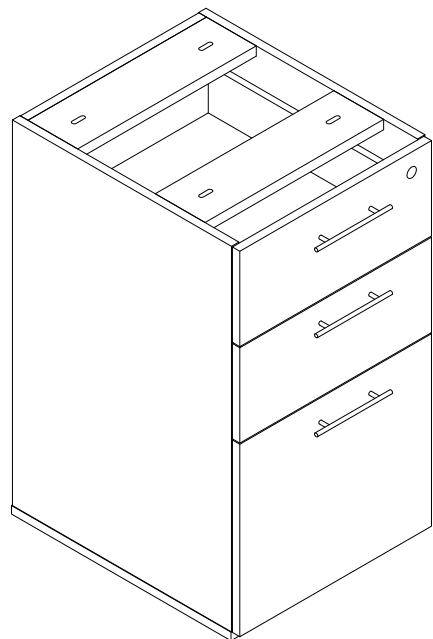




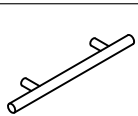
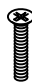

Medina Series TM
 Reception Pedestal, Box/Box/File
 Model No. MNRBBF

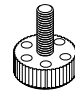



ASSEMBLY INSTRUCTIONS

CALL 1-800-822-8037 FOR ASSISTANCE

PARTS LIST

Name	Part	Qty.
A	 HB REALS410 Handle-96mm Center	3
B	 HB REALS249 Handle Screw-M4x33mm	6
C	 HB REALS124 M6 x 35mm	5

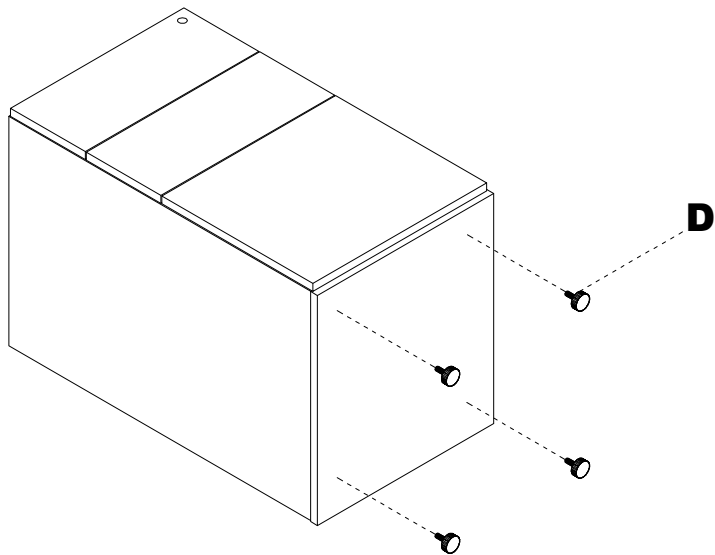
Name	Part	Qty.
D	 HB REALS425 Leveler	4
E	 HB Keys	1

Items with HB are in hardware box.

IMPORTANT!

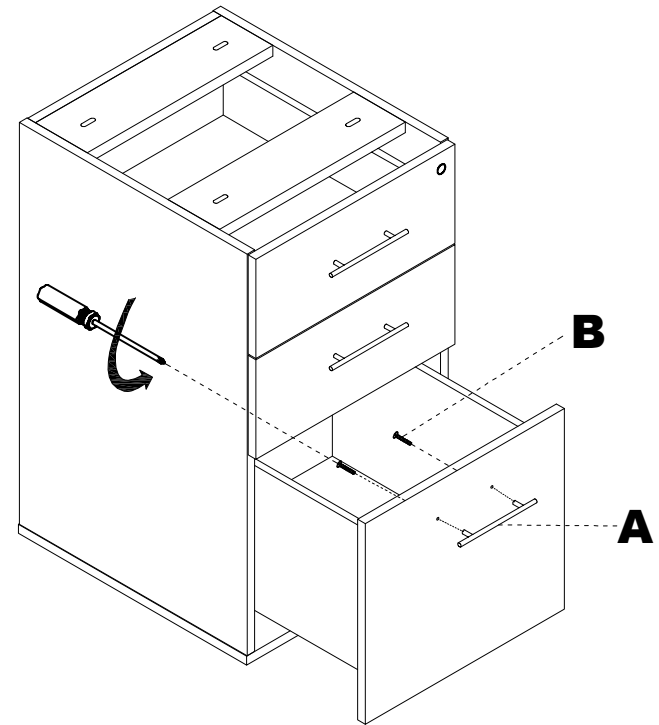
Review ALL instructions before beginning assembly. These instructions are provided to avoid problems that may occur from improper assembly or installation. Mayline and/or its distributor are not responsible for failure resulting from improper assembly or installation of this product. Moreover, all warranties are void for failure to follow these assembly instructions.

- ① Install Levelers (D) into threaded inserts in underside of MNRBBF.



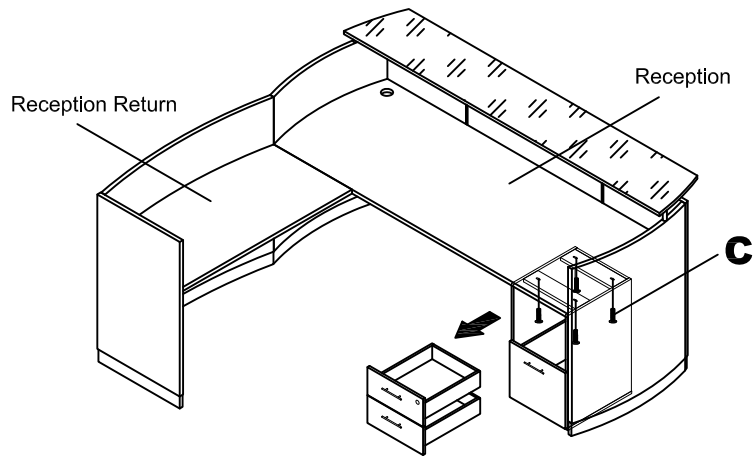
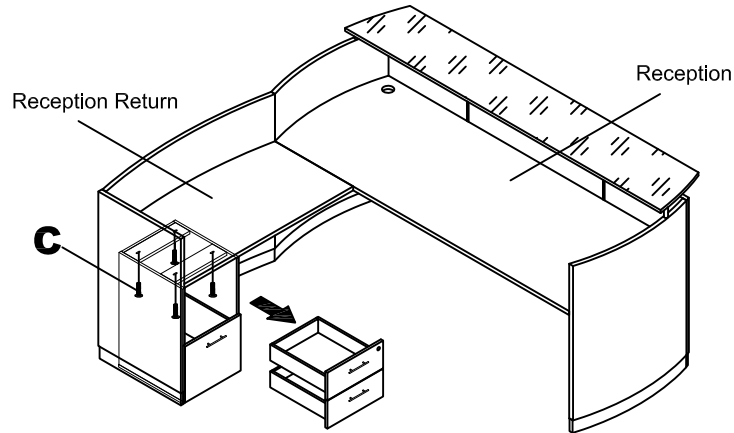
2

- ② Attach Handles (A) to the Fronts of Drawer using Screws (B).



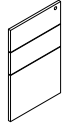

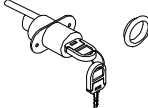
3

- ③ Install the MNRBBF to the underside of Reception Desk or Reception Return using Screws (C).



4

Pre-Installed Replacement Parts List

Part	Included Qty.	Part	Included Qty.
 MNRBBFDF** Drawer Fronts, Set of 3	1	 REALS054 16" Drawer Slides	3
 REALS401 Lock w/ Key	1		

**Denotes Color Code

5