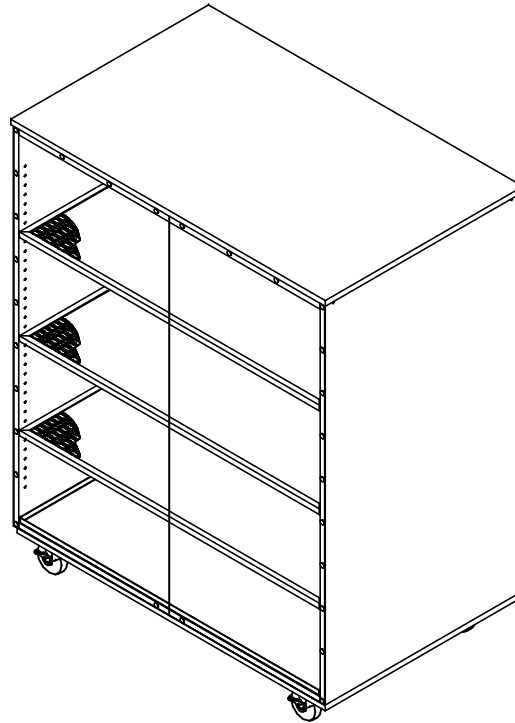


SCULPTURE WARE CART

5100M

ASSEMBLY INSTRUCTIONS



NOTE:

1. MODEL VIEWS MAY NOT REPRESENT EXACT MODEL PURCHASED

DWN BY:	EMK	DWN DATE:	3/4/14
APR BY:		DATE APR:	
APR BY:		DATE APR:	

UNLESS OTHERWISE SPECIFIED
DIMENSION ARE IN INCHES
CABINET SQUARENESS ± .0625
FRACTIONAL VALUES ± 1/32"
- ALL VALUES ± OVERALL -



300 South Krueger Street
Suring, WI 54174
diversifiedwoodcrafts.com

TITLE:
SCULPTURE WARE CART
ASSEMBLY INSTRUCTIONS

REV.	DESCRIPTION	DATE	NAME	ECN NO.
A	CREATED ASSEMBLY INSTRUCTIONS	3/4/14	EMK	-
REVISION LEVEL				

THIS DRAWING IS THE SOLE PROPERTY OF
DIVERSIFIED WOOD CRAFTS. IT MAY NOT
BE ALTERED OR CHANGED WITHOUT
PERMISSION

DRAWING NUMBER:
5100M

SCALE:	SHEET:	REVISION:
NTS	1 OF 3	REV A

ASSEMBLY COMPONENTS

ITEMS INCLUDED	PART #	PART DESCRIPTION	QTY
CASTER ASSEMBLY	100081	CASTER,ASSY,HARDWARE,16-SCREWS,16-NUTS (FACTORY ASSEMBLED)	1
SHELF PINS	100183	SHELF PINS, 5MM SLOPING	24
SHELF	238949	SHELF,EXPANDED METAL,DRYING CABINET	6
DRIP PAN	239075	DRIP PAN, 14 GAUGE HOT ROLLED STEEL	2
CLEAR VINYL DOOR	242246	DOORS,CLAY,MOBILE .08X48.00X53.50 WITH SNAPS (FACTORY ASSEMBLED)	2

NOTE:

1.

DWN BY:	EMK	DWN DATE:	3/4/14
APR BY:		DATE APR:	
APR BY:		DATE APR:	

UNLESS OTHERWISE SPECIFIED
DIMENSION ARE IN INCHES
CABINET SQUARENESS ± .0625
FRACTIONAL VALUES ± 1/32"
- ALL VALUES ± OVERALL -



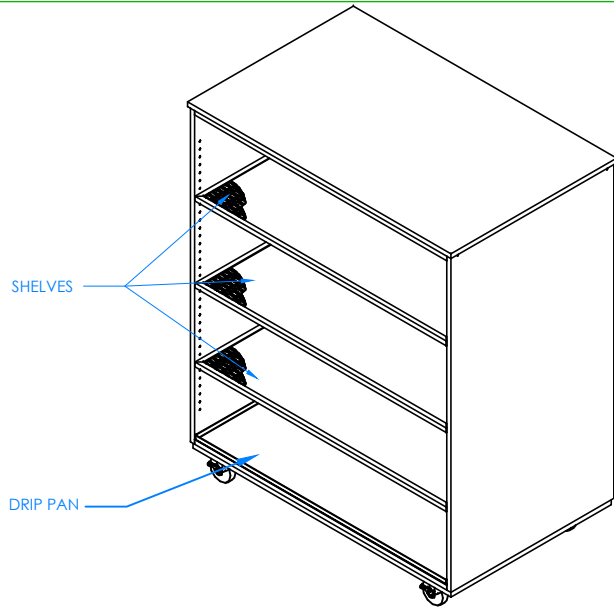
300 South Krueger Street
Suring, WI 54174
diversifiedwoodcrafts.com

TITLE:
**SCULPTURE WARE CART
TOOLS AND ASSEMBLY COMPONENTS**

REV.	DESCRIPTION	DATE	NAME	ECN NO.
A	CREATED ASSEMBLY INSTRUCTIONS	3/4/14	EMK	-
REVISION LEVEL				

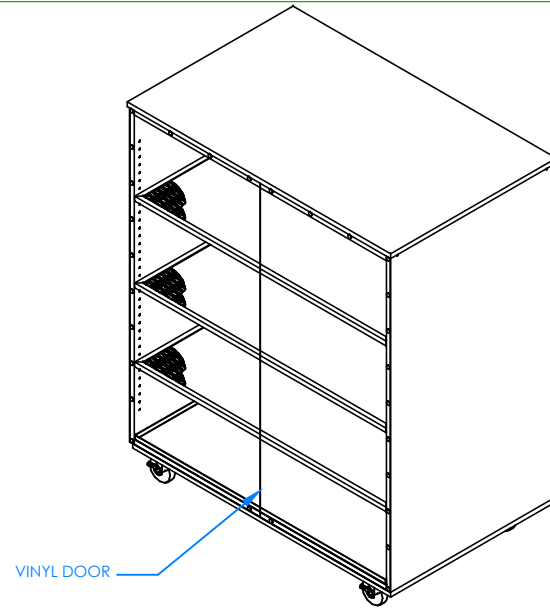
THIS DRAWING IS THE SOLE PROPERTY OF
DIVERSIFIED WOOD CRAFTS. IT MAY NOT
BE ALTERED OR CHANGED WITHOUT
PERMISSION

DRAWING NUMBER: 5100M	SCALE: NTS	SHEET: 2 OF 3	REVISION: REV A
---------------------------------	---------------	------------------	--------------------



STEP 1:

UNZIP EACH VINYL DOOR AND UNSNAP FROM THE FRONT OF CABINET. INSERT THE SHELF CLIPS IN THE DESIRED LOCATION AND ADD SHELVES. PLACE DRIP PAN AT BOTTOM.



COMPLETE UNIT SHOWN

STEP 2:

ONCE SHELVES AND DRIP PAN ARE INSTALLED, SNAP ON THE VINYL DOORS.

NOTE:

- 1.

DWN BY:	EMK	DWN DATE:	3/4/14
APR BY:		DATE APR:	
APR BY:		DATE APR:	



300 South Krueger Street
Suring, WI 54174
diversifiedwoodcrafts.com

UNLESS OTHERWISE SPECIFIED
DIMENSION ARE IN INCHES
CABINET SQUARENESS ± .0625
FRACTIONAL VALUES ± 1/32"
- ALL VALUES ± OVERALL -

TITLE:
SCULPTURE WARE CART
ASSEMBLY INSTRUCTIONS

REV.	DESCRIPTION	DATE	NAME	ECH NO.
A	CREATED ASSEMBLY INSTRUCTIONS	3/4/14	EMK	-
REVISION LEVEL				

THIS DRAWING IS THE SOLE PROPERTY OF
DIVERSIFIED WOOD CRAFTS. IT MAY NOT
BE ALTERED OR CHANGED WITHOUT
PERMISSION

DRAWING NUMBER:
5100M

SCALE:	SHEET:	REVISION:
NTS	3 OF 3	REV A