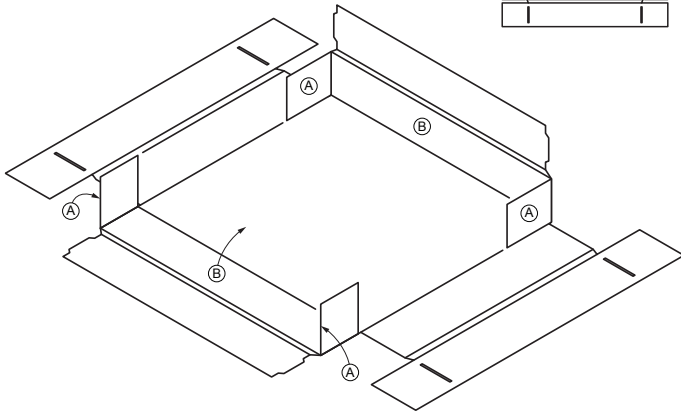
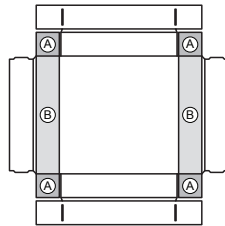


Assembly Instructions

Box Cover

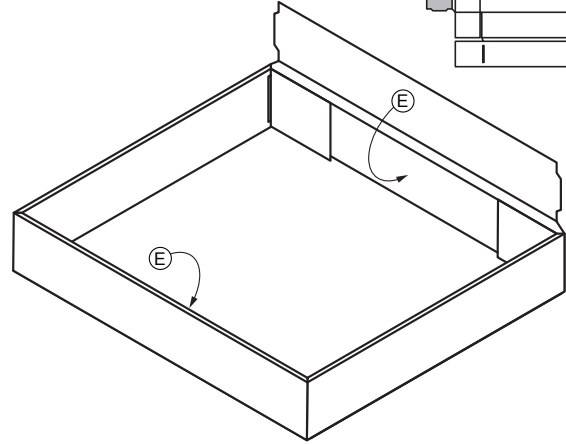
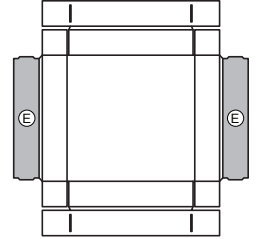
Step 1:

Fold corner flaps (A) in against the side flaps (B), and fold side flaps (B) in against the inside of cover.



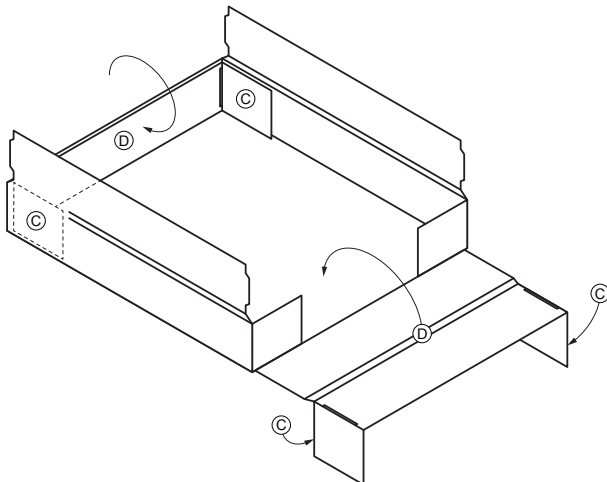
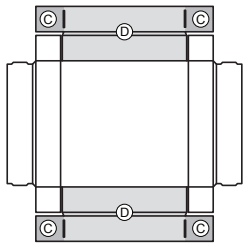
Step 3:

Fold in remaining side flaps (E)



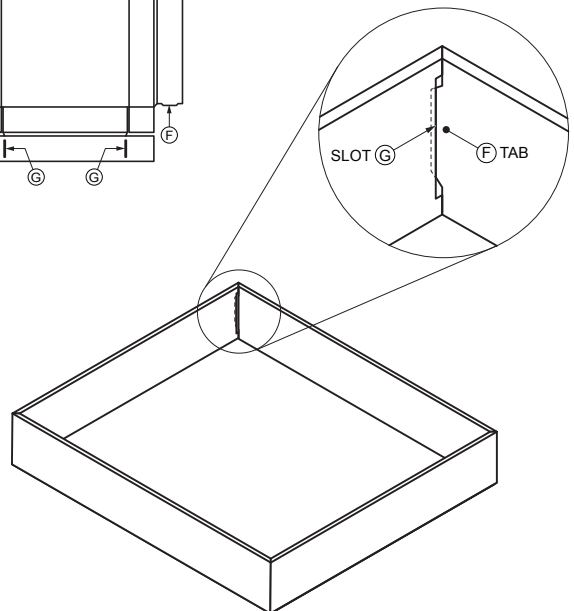
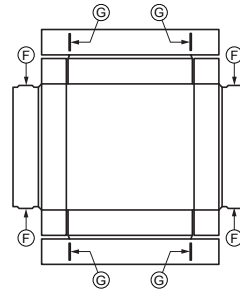
Step 2:

Fold side flaps (D) over corner flaps (A) leaving corner flaps (C) mounted oppositely on side flaps (B).



Step 4:

Lock tabs (F) into slots (G)

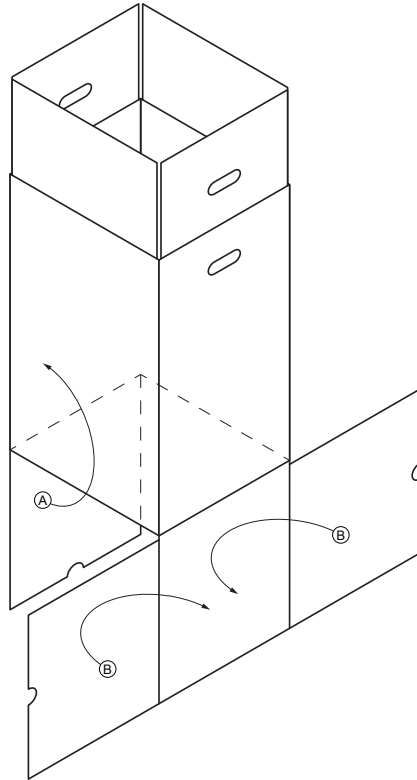


Assembly Instructions

Main Box

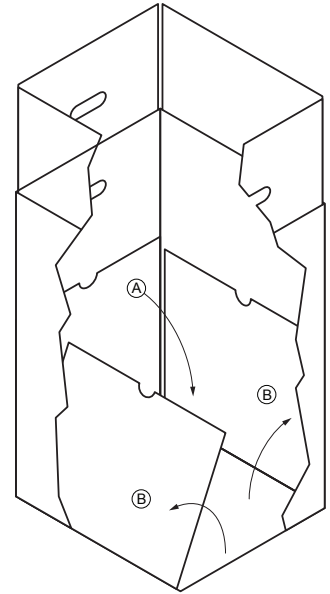
Step 1:

Fold single flap (A) in and mounted on side of the box inside. And fold ends of the 3-tab (B) in and against center piece of 3-tab.



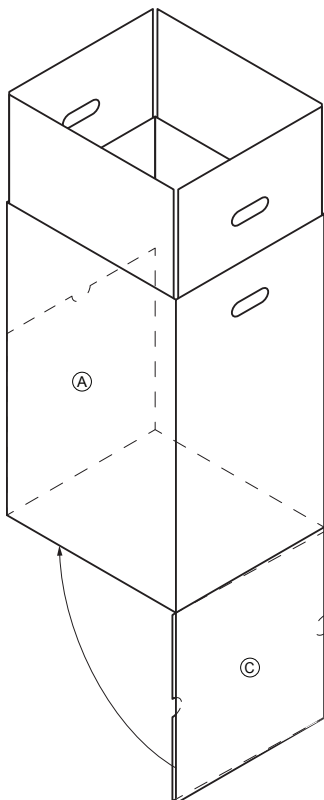
Step 3:

From the inside using finger holes, pull ends of 3-tab flap (B) in against wall of the box inside. and fold single flap (A) to the bottom of the box.



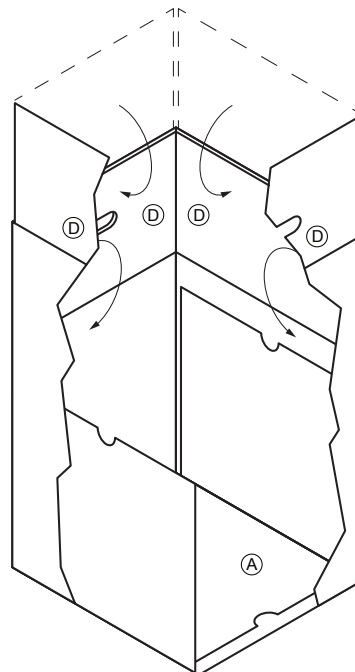
Step 2:

Fold the whole 3-tab flap in and flush with the bottom of the box.



Step 4:

Fold top flaps (D) in against inside of box mounted on sides of the box.

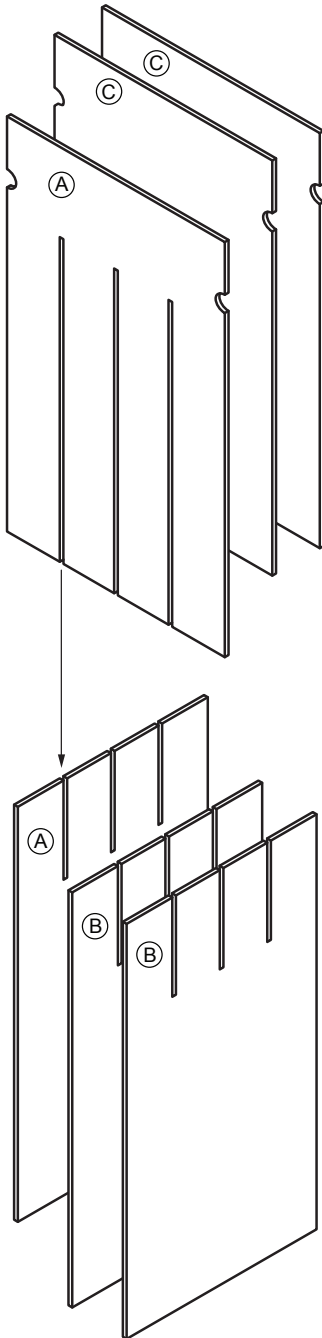


Assembly Instructions

Dividers

Step 1:

Fit on one top partition (A) into one bottom partition (A), then put in the remaining two bottom partitions (B) into the top (A), and then put in the remaining two top partitions (C) into bottom (A) (B) and (C)



Step 2:

Put assembled partitions into box aligning cutouts with hand holes of box.

