

Cabinet Attachment Instructions

Model Numbers: 6511, 6521, 6522, 6531

Step 1:

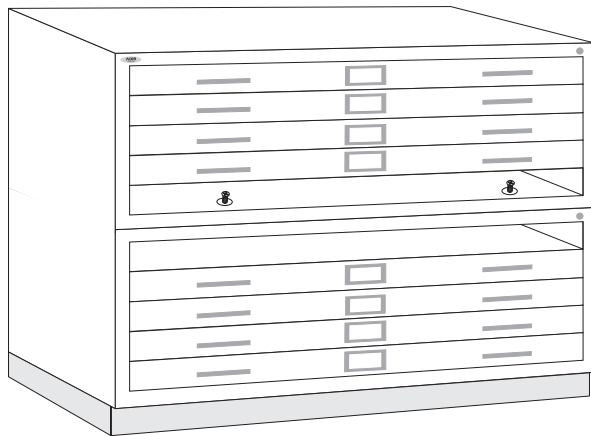
Remove Bottom Drawer (A) of the top unit to be attached. Also remove the Top Drawer (B) of the bottom unit.

Drawers may be pulled straight out.



Step 2:

Remove Knockout plugs at position holes indicated.



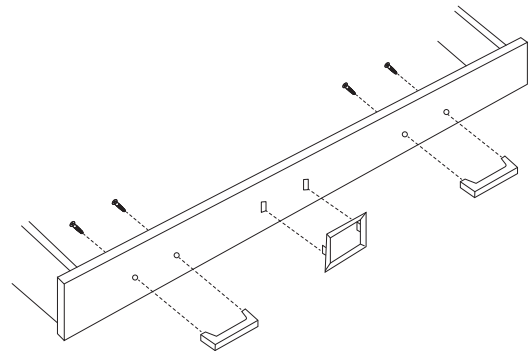
Step 3:

Insert Screws thru two holes at front ledge only, And fasten nuts on bottom.

Handle & Label Holder Installation:

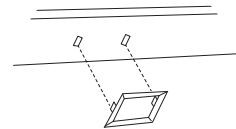
Step 1:

Add Screws (thru the large holes in the back) & thru outside holes to handles.



Step 1:

Attach label holder pushing tabs thru slots in front & bending towards center to secure.



Final Product:

